



STANDARD RESPONSE AUTOMATIC SPRINKLERS GL SERIES UPRIGHT • PENDENT VERTICAL SIDEWALL HORIZONTAL SIDEWALL CONVENTIONAL (OLD STYLE)

DESCRIPTION AND OPERATION

The Globe Standard Response GL Series Sprinklers are a low profile yet durable design which utilizes a 5mm frangible glass ampule as the thermosensitive element. While the Standard Response Sprinkler provides an aesthetically pleasing appearance, it can be installed wherever standard spray sprinklers are specified when allowed by the applicable standards. It offers the additional feature of greatly increased safety to life and is available in various styles, orifices, temperature ratings and finishes to meet varying design requirements. Standard Response Sprinklers should be used advisedly and under the direction of approving authorities having jurisdiction.

The heart of Globe's GL Series sprinkler proven actuating assembly is a hermetically sealed frangible glass ampule that contains a precisely measured amount of fluid. When heat is absorbed, the liquid within the bulb expands increasing the internal pressure. At the prescribed temperature the internal pressure within the ampule exceeds the strength of the glass causing the glass to shatter. This results in water discharge which is distributed in an approved pattern depending upon the deflector style used.

The sprinkler and escutcheon are not factory assembled. Assembly is done in the field.



STANDARD RESPONSE UPRIGHT



CONVENTIONAL



STANDARD RESPONSE PENDENT



VERTICAL SIDEWALL

TECHNICAL DATA

- See reverse side for Approvals and Specifications.
- Temperature Ratings - 135°F (57°C), 155°F (68°C), 175°F (79°C), 200°F (93°C), 286°F (141°C), 360°F (182°C) 500°F (260°C) Available Upon Request Without Approvals
- Water Working Pressure Rating - 175 psi (12 Bars)
- Factory tested hydrostatically to 500 psi (34 Bars)
- Maximum low temperature glass bulb rating is -67°F (-55°C)
- Frame - bronze • Deflector - brass • Screw - brass
- Lodgement Wire - stainless steel • Bulb seat - copper
- Spring - nickel alloy • Seal - teflon
- Bulb - glass with glycerin solution, 5mm size
- Escutcheon Assembly - steel



STANDARD RESPONSE LPC/CE HORIZONTAL SIDEWALL



HORIZONTAL SIDEWALL

SPRINKLER TEMPERATURE RATING/CLASSIFICATION and COLOR CODING

| CLASSIFICATION | AVAILABLE SPRINKLER TEMPERATURES | | BULB COLOR | N.F.P.A. MAXIMUM CEILING TEMPERATURE | |
|----------------|----------------------------------|-----------|--------------|--------------------------------------|-------|
| ORDINARY | 135°F/155°F | 57°C/68°C | ORANGE/RED | 100°F | 38°C |
| INTERMEDIATE | 175°F/200°F | 79°C/93°C | YELLOW/GREEN | 150°F | 66°C |
| HIGH | 286°F | 141°C | BLUE | 225°F | 107°C |
| EXTRA HIGH | 360°F | 182°C | MAUVE | 300°F | 149°C |
| ULTRA HIGH | 500°F | 260°C | BLACK | 475°F | 246°C |

STANDARD RESPONSE AUTOMATIC SPRINKLERS GL SERIES UPRIGHT • PENDENT • VERTICAL SIDEWALL HORIZONTAL SIDEWALL • CONVENTIONAL (OLD STYLE) SPECIFICATIONS

| NOMINAL "K" FACTOR | THREAD SIZE | LENGTH ¹ | FINISHES |
|--------------------|----------------|---------------------|--------------------------------|
| 2.8 (40 metric) | 1/2"NPT (15mm) | 2 1/4" (5.7cm) | Factory Bronze |
| 4.2 (60 metric) | 1/2"NPT (15mm) | 2 1/4" (5.7cm) | Chrome |
| 5.6 (80 metric) | 1/2"NPT (15mm) | 2 1/4" (5.7cm) | White Polyester ³ |
| 8.0 (115 metric) | 1/2"NPT (15mm) | 2 1/4" (5.7cm) | Black Polyester ^{2,3} |
| 8.0 (115 metric) | 3/4"NPT (20mm) | 2 7/16" (6.2cm) | Wax Coated ^{2,3,4} |

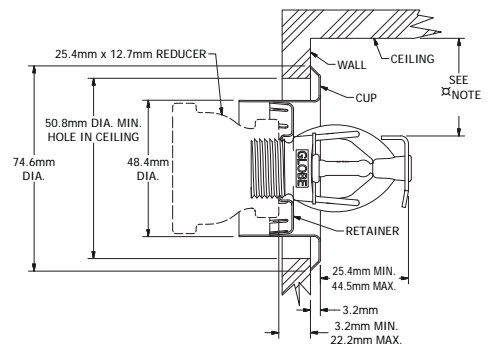
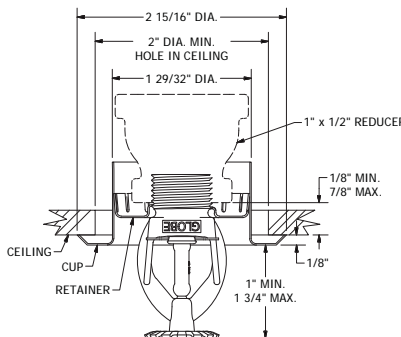
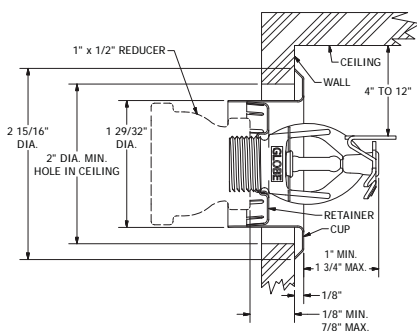
NOTE: METRIC CONVERSIONS ARE APPROXIMATE. ³AVAILABLE AS cULus LISTED CORROSION RESISTANT WHEN SPECIFIED ON ORDER.
¹HORIZONTAL SIDEWALL IS 2 9/16". ⁴WAX COATING cULus LISTED UP TO 200°F (93°C) ONLY.
²FINISHES AVAILABLE ON SPECIAL ORDER.

APPROVALS

| STYLE | SIN MODEL | K FACTOR | HAZARD ¹ | TEMPERATURE | | | | | | cULus | FM | LPC | CE | NYC - DOB MEA 101-92-E |
|--|-----------|----------|---------------------|--------------|--------------|--------------|--------------|-----------------|-----------------|-------|-----|-----|-----|------------------------|
| | | | | 135°F (57°C) | 155°F (68°C) | 175°F (79°C) | 200°F (93°C) | **286°F (141°C) | **360°F (182°C) | | | | | |
| UPRIGHT | GL2861 | 2.8 | LH | X | X | X | X | X | X | X | --- | --- | --- | X |
| | GL4261 | 4.2 | LH | X | X | X | X | X | X | X | --- | --- | --- | X |
| | GL5661 | 5.6 | ALL | X | X | X | X | X | X | X | X | X | X | X |
| | GL8161 | 8.0* | ALL | X | X | X | X | X | X | X | --- | --- | --- | X |
| | GL8164 | 8.0 | ALL | X | X | X | X | X | X | X | X | X | X | X |
| PENDENT RECESSED PENDENT | GL2851 | 2.8 | LH | X | X | X | X | X | X | X | --- | --- | --- | X |
| | GL4251 | 4.2 | LH | X | X | X | X | X | X | X | --- | --- | --- | X |
| | GL5651 | 5.6 | ALL | X | X | X | X | X | X | X | X | X | X | X |
| | GL8151 | 8.0* | ALL | X | X | X | X | X | X | X | --- | --- | --- | X |
| | GL8156 | 8.0 | ALL | X | X | X | X | X | X | X | X* | X | X | X |
| VERTICAL SIDEWALL [†] | GL5675 | 5.6 | LH | X | X | X | X | X | X | X | X | --- | --- | --- |
| | GL8176 | 8.0 | LH | X | X | X | X | X | X | X | --- | --- | --- | --- |
| HORIZONTAL SIDEWALL RECESSED HORIZONTAL SIDEWALL | GL2870§ | 2.8 | LH | X | X | X | X | X | X | X | --- | --- | --- | X |
| | GL4270§ | 4.2 | LH | X | X | X | X | X | X | X | --- | --- | --- | X |
| | GL5670§ | 5.6 | LH/OH | X | X | X | X | X | X | X | X | --- | --- | X |
| | GL5671¶ | 5.6 | LH/OH | X | X | X | X | X | X | X | --- | --- | X | --- |
| | GL8171§ | 8.0 | LH/OH | X | X | X | X | X | X | X | X | --- | --- | --- |
| CONVENTIONAL (OLD STYLE) | GL5668 | 5.6 | LH/OH | X | X | X | X | X | X | --- | --- | X | X | --- |
| | GL8169 | 8.0 | LH/OH | X | X | X | X | X | X | --- | --- | X | X | --- |

¹SPRINKLERS SHALL BE LIMITED AS PER THE REQUIREMENTS OF NFPA13 AND ANY OTHER RELATED DOCUMENTS.
[§]HORIZONTAL SIDEWALL cULus LISTED FOR DEFLECTOR 4" TO 12" BELOW THE CEILING, FM APPROVED 4" TO 6" BELOW THE CEILING.
[¶]INSTALL IN ACCORDANCE TO BS5306 AND ANY OTHER RELATED DOCUMENTS.
[†]PENDENT VERTICAL SIDEWALL cULus LISTED FOR 6" MIN. SPACING.
[‡]UPRIGHT VERTICAL SIDEWALL cULus LISTED FOR 9" MIN. SPACING.
500°F (260°C) AVAILABLE UPON REQUEST WITH NO APPROVALS.
^{*}1/2"NPT; RETRO-FIT ONLY

^{*}BRASS FINISH ONLY WHEN RECESSED
^{**}NO FM APPROVALS FOR RECESSED
[§]NO FM APPROVALS
OH: ORDINARY HAZARD
LH: LIGHT HAZARD
ALL: ALL HAZARDS



ORDERING INFORMATION SPECIFY

- Quantity • Model • Number Style • Orifice
- Thread Size • Temperature • Finish desired
- Quantity - Wrenches/Recessed Wrenches - P/N 325390/325391 (1/2"); P/N 312366/325401 (L.O.)
- Quantity Protective Caps - P/N 327109-CAP (Friction Fit Recessed)

GLOBE® PRODUCT WARRANTY

Globe agrees to repair or replace any of its own manufactured products found to be defective in material or workmanship for a period of one year from date of shipment.

For specific details of our warranty please refer to Price List Terms and Conditions of Sale (Our Price List).



APR 2017

PRINTED U.S.A.

4077 AIRPARK DRIVE, STANDISH, MICHIGAN 48658
989-846-4583 FAX 989-846-9231
1-800-248-0278 www.globesprinkler.com

GFS-100b (Formerly A-65)